



LIGHTFLEX

SCORREVOLE MOTORIZZATO



Scorrevole motorizzato | Motorized sliding | Motorisé coulissant |
 Corredera motorizada



Vari



Various



Divers

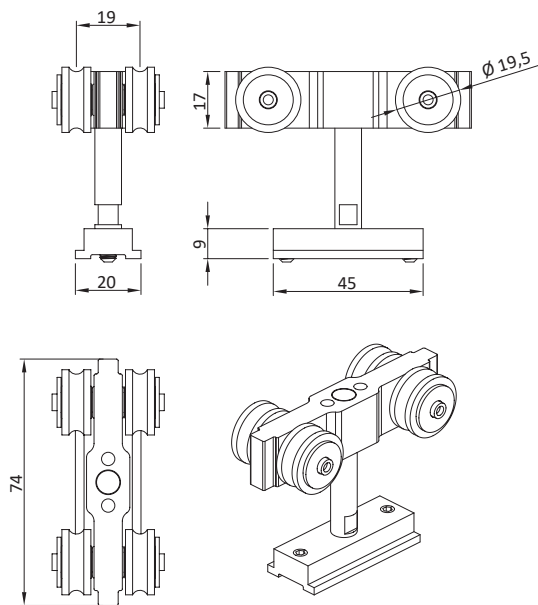


Varios

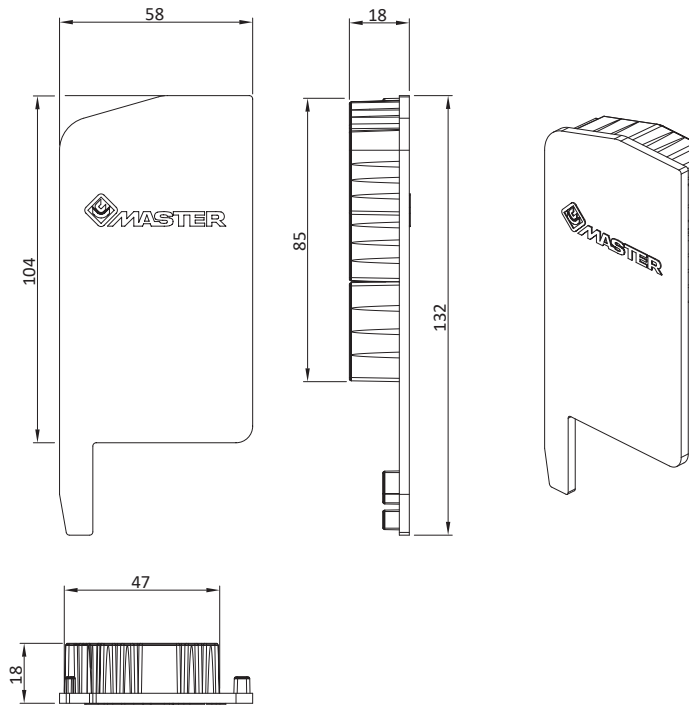


ART.	1122.1				93635.3				2337.3			
Imballo Package Conditionnement Embalaje	1 Pz				60 Pz				25 Cp			
Finiture disponibili Available finishes Finitions disponibles Acabados disponibles	1	2	3	4	1	2	3	4	1	2	3	4

Art. 93635.3



Art. 2337.3



Art. 1122.1

