



KARMA MARTELLINA



Martellina | Handle | Martelet | Maneta



Manico in alluminio pressofuso; cassa, copricassa e rotore in zama; boccole antifrizionamento in delrin, perno e viti in acciaio.



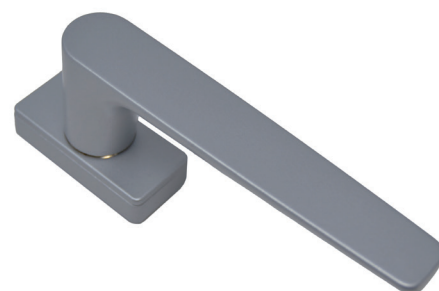
Die-cast aluminium handle, body, body cover and rotor in zamak, screws and pin in steel.



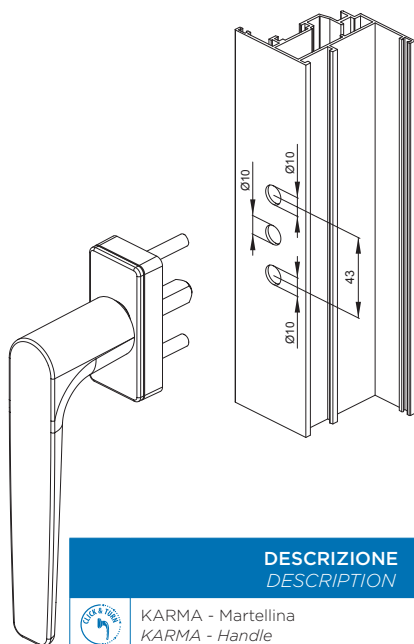
Poignée en aluminium coulé ; caisse, couvre-caisse et rotor en zamac ; pivot et vis en acier.



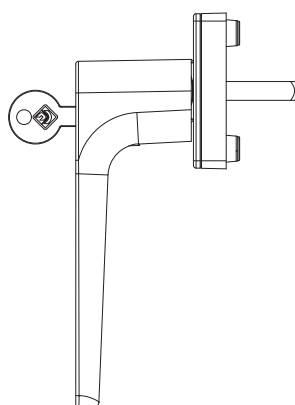
Mango de aluminio moldeado a presión; caja, cubrecaja y rotor de zamak; tornillos y perno de acero.



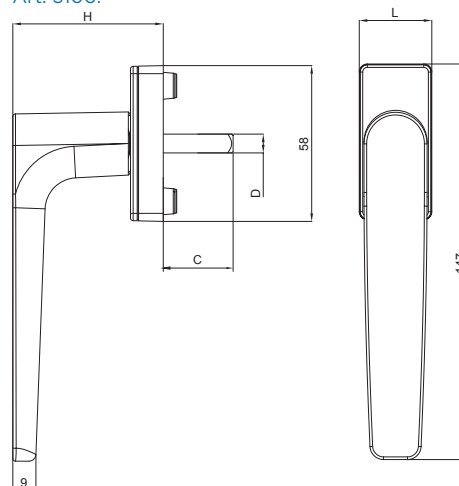
ART.	3100.41 3100 3100.1	3101 3101.1 3101.25	3100.10 3100.11 3100.15
Imballo Package Conditionnement Embalaje	20 Pz	5 Pz	10 Cp
Finiture disponibili Available finishes Finitions disponibles Acabados disponibles	1 2 3 4	1 2 3 4	1 2 3 4



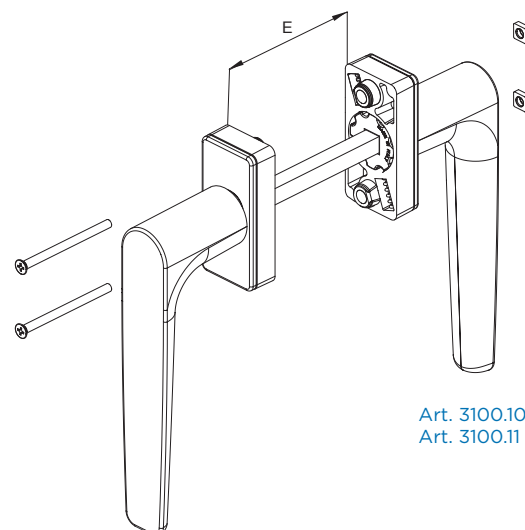
Art. 3101.*



Art. 3100.*



DESCRIZIONE DESCRIPTION	ART.	L	H	C	D	E
KARMA - Martellina KARMA - Handle	3100	27	56	26mm	7	
KARMA - Martellina per scorrevole parallelo SPI60 versione semiautomatica KARMA - Handle for tilt and slide SPI60 semi-automatic version	3100.41	27	56	26mm	7	
KARMA - Martellina KARMA - Handle	3100.1	27	56	46mm	7	
KARMA - Doppia Martellina KARMA - Double Handle	3100.10	27	56	-	7	Max 64
KARMA Doppia martellina con lato esterno fisso KARMA Double handle with fixed external side	3100.11	27	56	-	7	Max 80
KARMA - Doppia Martellina KARMA - Double Handle	3100.15	27	56	-	-	
KARMA - Martellina con cilindro KARMA - Handle with key	3101	27	56	26mm	7	
KARMA - Martellina con cilindro KARMA - Handle with key	3101.1	27	56	46mm	7	
KARMA - Martellina per anta ribalta manovra logica, apertura DX e SX KARMA - Handle for tilt before turn, right and left opening	3101.25	27	56	26mm	7	



Art. 3100.10
Art. 3100.11