



# KARMA

## MARTELLINA MINIMAL DESIGN



Martellina minimal design | Minimal design handle  
Bequille a poignee design minimaliste | Maneta de diseño minimal



Manico in alluminio pressofuso, boccola in nylon, bussola in zama, grano, molla e perno in acciaio zincato.



Handle in die-cast aluminium, nylon bush, zamak bush, setscrew, spring and pin in galvanized steel.



Poignée en aluminium moulé sous pression, douille en nylon, douille en zamak, vis de réglage, ressort et goupille en acier galvanisé.

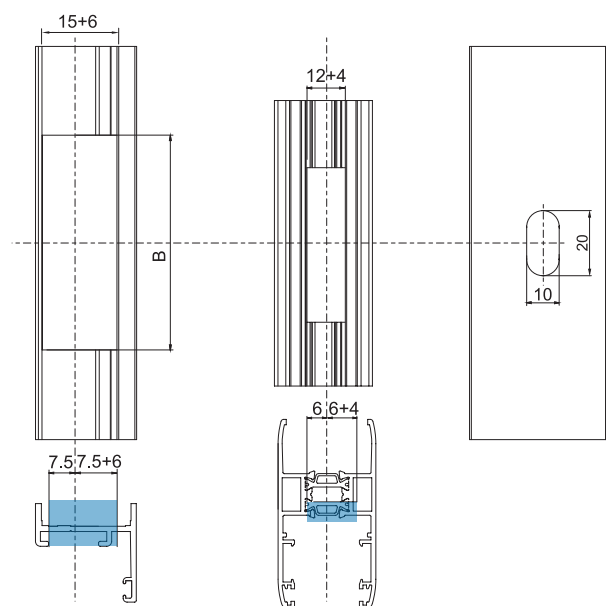


Mango en aluminio inyectado, casquillo de nylon, casquillo de zamak, prisionero, muelle y eje en acero galvanizado.



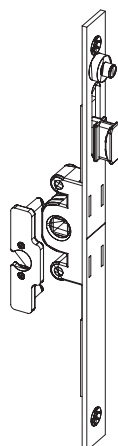
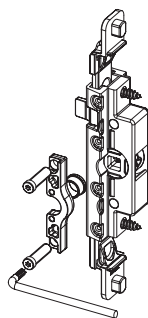
ART.	3091.60   3091.61   3091.62			
Imballo   Package   Conditionnement   Embalaje	5 PZ			
Finiture disponibili   Available finishes Finitions disponibles   Acabados disponibles	1	2	3	4

Art. 3091.6X

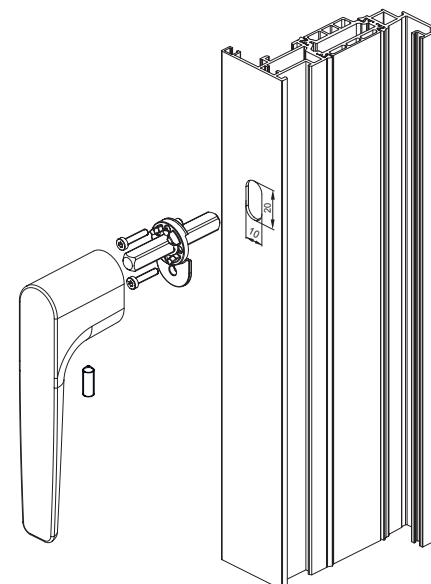
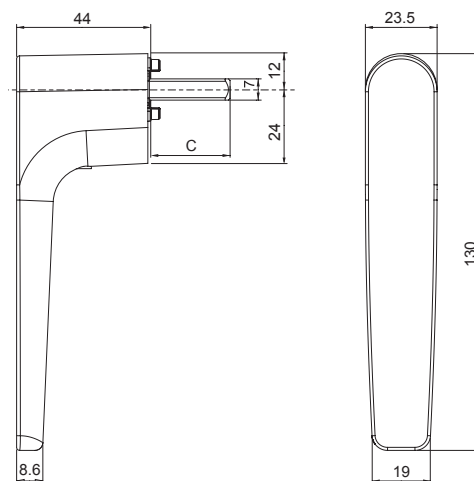


In abbinamento con:  
Combined with:  
Art. 3630.6X +  
Movimentazione SHARK  
SHARK movements

In abbinamento con:  
Combined with:  
Art. 3630.7X +  
Movimentazione Fast Lock  
Fast Lock multipoint locking



ART.	B
3627.XX	54mm
3628.XX	54mm
3630.XX	60mm
3631.XX	60mm



DESCRIZIONE DESCRIPTION	ART.	C
KARMA Martellina minimale ovale KARMA Minimal design oval handle	3091.60	26mm
KARMA Martellina minimale ovale KARMA Minimal design oval handle	3091.61	32mm
KARMA Martellina minimale ovale KARMA Minimal design oval handle	3091.62	38mm