



KARMA

MARTELLINA MINIMAL DESIGN CON MANICO DISASSATO



Martellina minimal design con manico disassato | Minimal design cremone bolt with offset handle | Martelet minimal design avec poignée décalée | Maneta minimal design con mango descentrado



Manico in alluminio pressofuso, boccola in nylon, bussola in zama, grano, molla e perno in acciaio zincato.



Handle in die-cast aluminium, nylon bush, zamak bush, setscrew, spring and pin in galvanized steel.



Poignée en aluminium moulé sous pression, douille en nylon, douille en zamak, vis de réglage, ressort et goupille en acier galvanisé.

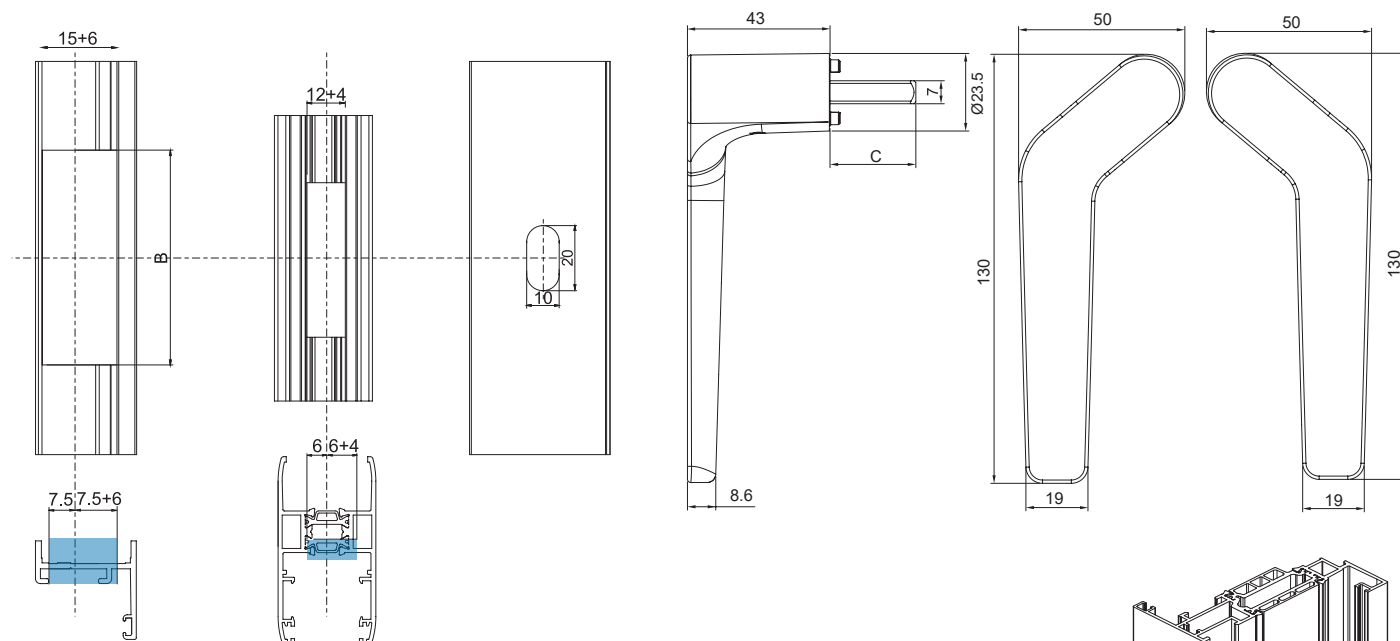


Mango en aluminio inyectado, casquillo de nylon, casquillo de zamak, prisionero, muelle y eje en acero galvanizado.

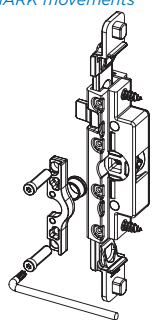


ART.	3091.AD 3091.1AD 3091.2AD 3091.AS 3091.1AS 3091.2AS			
Imballo Package Conditionnement Embalaje	2 Cp			
Finiture disponibili Available finishes Finitions disponibles Acabados disponibles	1	2	3	4

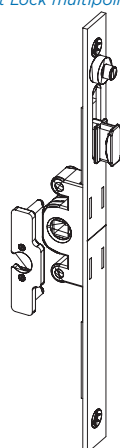
Art. 3091.AD | 3091.1AD | 3091.2AD
Art. 3091.AS | 3091.1AS | 3091.2AS



In abbinamento con:
Combined with:
Art. 3630.6X +
Movimentazione SHARK
SHARK movements



In abbinamento con:
Combined with:
Art. 3630.7X +
Movimentazione Fast Lock
Fast Lock multipoint locking



ART.	B
3627.XX	54mm
3628.XX	54mm
3630.XX	60mm
3631.XX	60mm

DESCRIZIONE DESCRIPTION	ART.	C
KARMA - Martellina con manico disassato DX KARMA - Cranck Handle RH	3091.AD	26
KARMA - Martellina con manico disassato DX KARMA - Cranck Handle RH	3091.1AD	32
KARMA - Martellina con manico disassato DX KARMA - Cranck Handle RH	3091.2AD	38
KARMA - Martellina con manico disassato SX KARMA - Cranck Handle LH	3091.AS	26
KARMA - Martellina con manico disassato SX KARMA - Cranck Handle LH	3091.1AS	32
KARMA - Martellina con manico disassato SX KARMA - Cranck Handle LH	3091.2AS	38

