



SHARK

KIT DI FISSAGGIO PER MARTELLINA MINIMAL



Kit di fissaggio martellina minimal | Fixing kit for minimal handle |
Kit de fixation de poignee minimal | Kit de fijación de maneta minimal



Riduttore interasse in zama; viti in acciaio inox.



Zamak interaxis reducer; stainless steel screws.



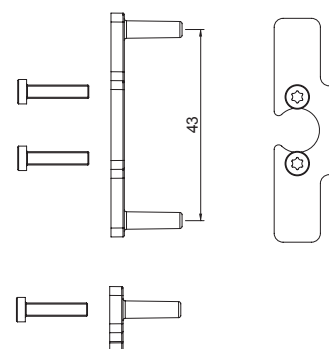
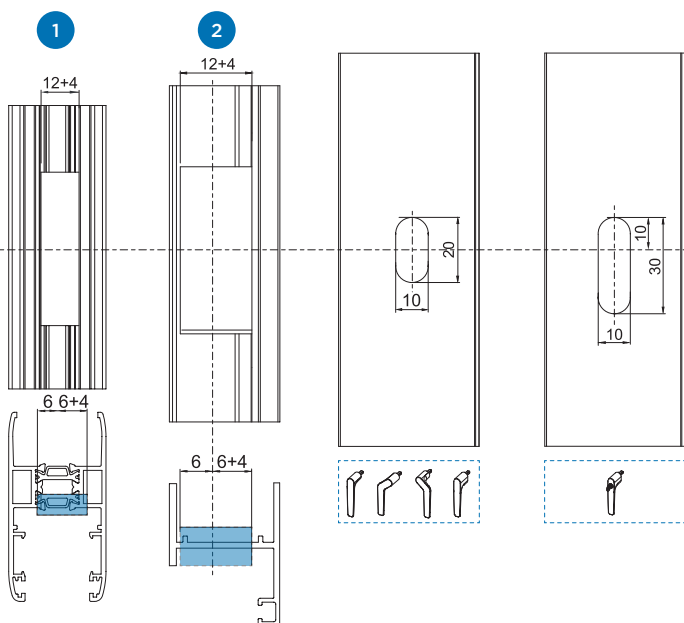
Réducteur d'entraxe en zamak; vis en acier inoxydable.



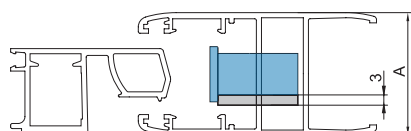
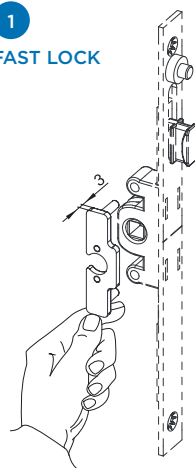
Reductor entre ejes de zamak; tornillos de acero inoxidable.



ART.	All			
Imballo Package Conditionnement Embalaje	5 Pz			
Finiture disponibili Available finishes Finitions disponibles Acabados disponibles	1	2	3	4

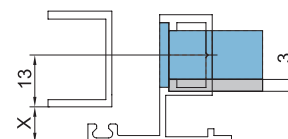
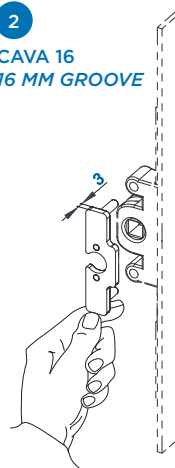


1 FAST LOCK



ART.	DESCRIZIONE DESCRIPTION	A	Y
3630.70	Kit di fissaggio Fastlock Fastlock fixing kit	32-36mm	26 mm
3630.71		36-40mm	
3630.72		40-44mm	
3630.73		44-48mm	
3630.74		48-52mm	

2 CAVA 16 16 MM GROOVE



ART.	DESCRIZIONE DESCRIPTION	A	Y
3630.70	Kit di fissaggio Cava 16 e PVC Cava 16 e PVC fixing kit	7-9mm	26mm
3630.71		9-11mm	
3630.72		11-13mm	
3630.73		13-15mm	
3630.74		15-17mm	
3630.75	17-19mm	32mm	
3630.76	19-21mm		

ART.	DESCRIZIONE DESCRIPTION	A	Y
3630.72	Kit di fissaggio Cava 16 e PVC Cava 16 e PVC fixing kit	7-9mm	32mm
3630.73		9-11mm	
3630.74		11-13mm	
3630.75		13-15mm	
3630.76		15-17mm	
3630.77		17-19mm	
3630.78		19-21mm	
3630.78		19-21mm	